

OFFSET RING WRENCHES - METRIC | E113321

Description

- ISO 691 - ISO 1711-1 - ISO 3318 - ISO 10104 - DIN 838
- 12-point OGV® ring wrenches offset by 70° for better access to recessed nuts.
- OGV® Ring profile maximizing contact surface with the nut for a longer lifetime.
- Forged in Chrome Vanadium steel.
- High chrome finish.

Information

EAN	3258951133217
------------	---------------

A1 [mm]	7
----------------	---

A [mm]	6
---------------	---

B [mm]	10.8
---------------	------

B1 [mm]	12.5
----------------	------

C [mm]	4
---------------	---

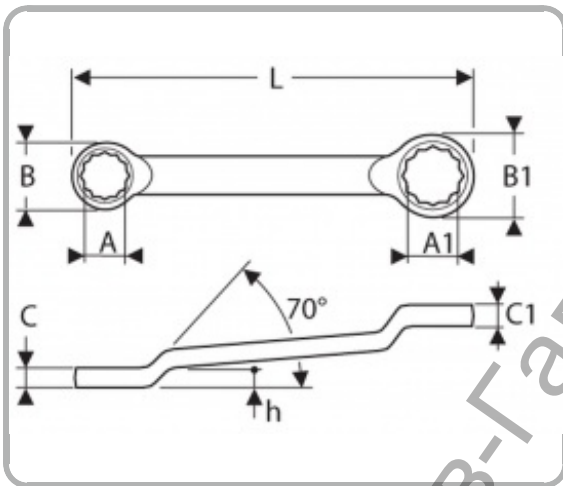
C1 [mm]	5.6
----------------	-----

H1 [mm]	19.5
----------------	------

L [mm]	170
---------------	-----

Conditioning	1
---------------------	---

[g]	45
------------	----



Ташев-Галвини ООД
www.tashev-galving.com